

**Light Pole Base Foundations**

**Model**  
**(Diameter x Height)**    **Weight**

16" x 36"	590
16" x 42"	685
18" x 36"	745
18" x 48"	990
18" x 60"	1240
18" x 72"	1490
18" x 84"	1740
18" x 96"	1990
24" x 48"	1760
24" x 60"	2200
24" x 72"	2640
24" x 84"	3080
24" x 96"	3520
27" x 90" - SQUARE	5320
30" x 36"	2060
30" x 48"	2750
30" x 60"	3440
30" x 72"	4125
30" x 84"	4810
36" x 36"	3000

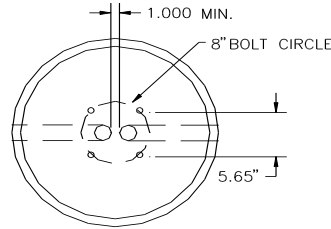
Partial list of sizes.

Our bases are manufactured with a 2" open raceway.  
PVC conduit can be specified.  
GRC conduit can be specified.

Standard reinforcing is shown, but CDOT or other can be specified.  
Concrete - 5000 PSI - tested daily.  
Delivery can be requested on all light pole base orders.  
Weight limit for our trucks is 22,000 pounds.

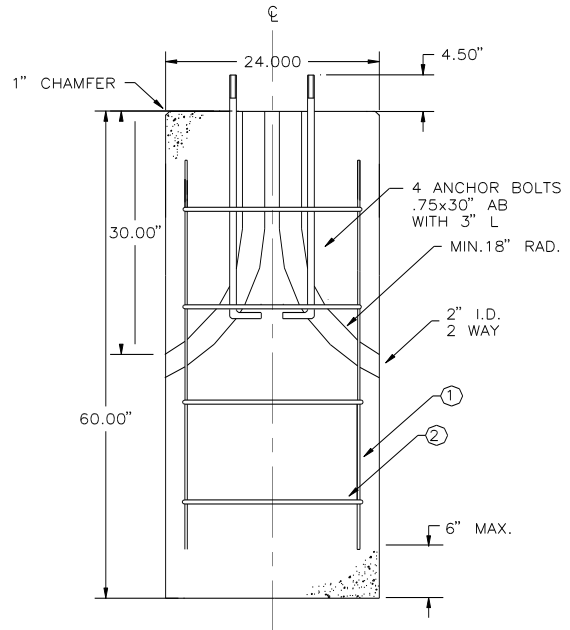
**Anchor Bolt Pricing**

Anchor bolts are partially galvanized and include one nut



**Bolt Size**    **(qty of 4)**

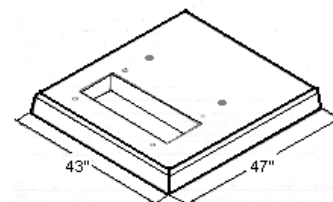
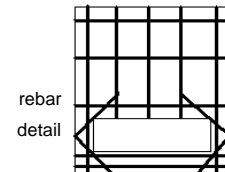
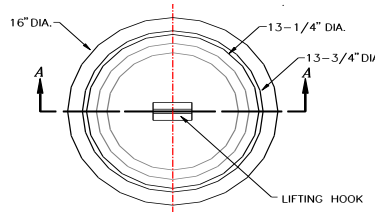
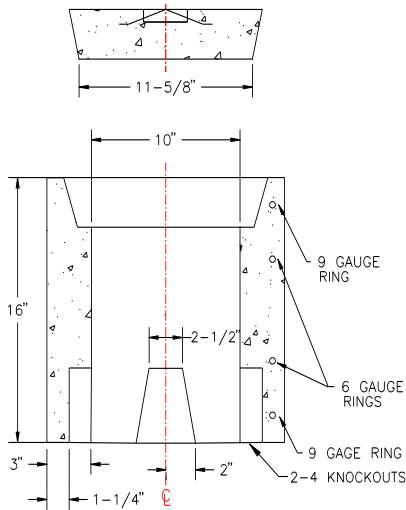
- 1/2" x 30"
- 3/4" x 30"
- 1" x 36"
- 1" x 48"
- 1-1/4" x 48"
- 2" x 84"



**PULL BOXES**

Model	Width	Height	Weight
Small Pullbox with lid	10" ID	16" ID	150
Large Pullbox with lid	18" ID	24" ID	
10" Lid	10" ID		
18" Lid	18" ID		

Built to Colorado Highway Specifications



**Single Phase Transformer Pad**

Length	Width	Thickness	Weight
47"	43"	6"	980

Delivery is available, standard charges apply.